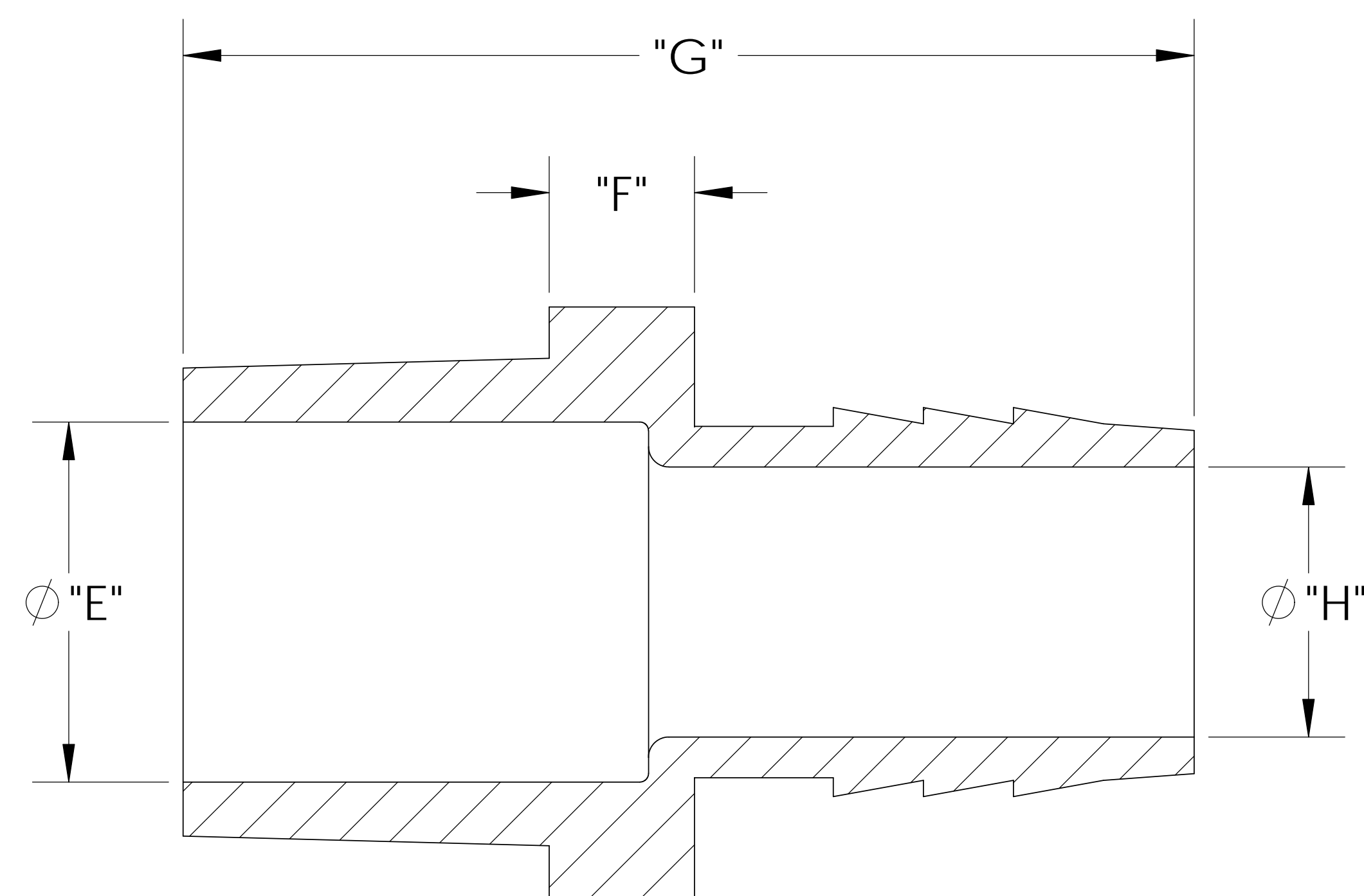
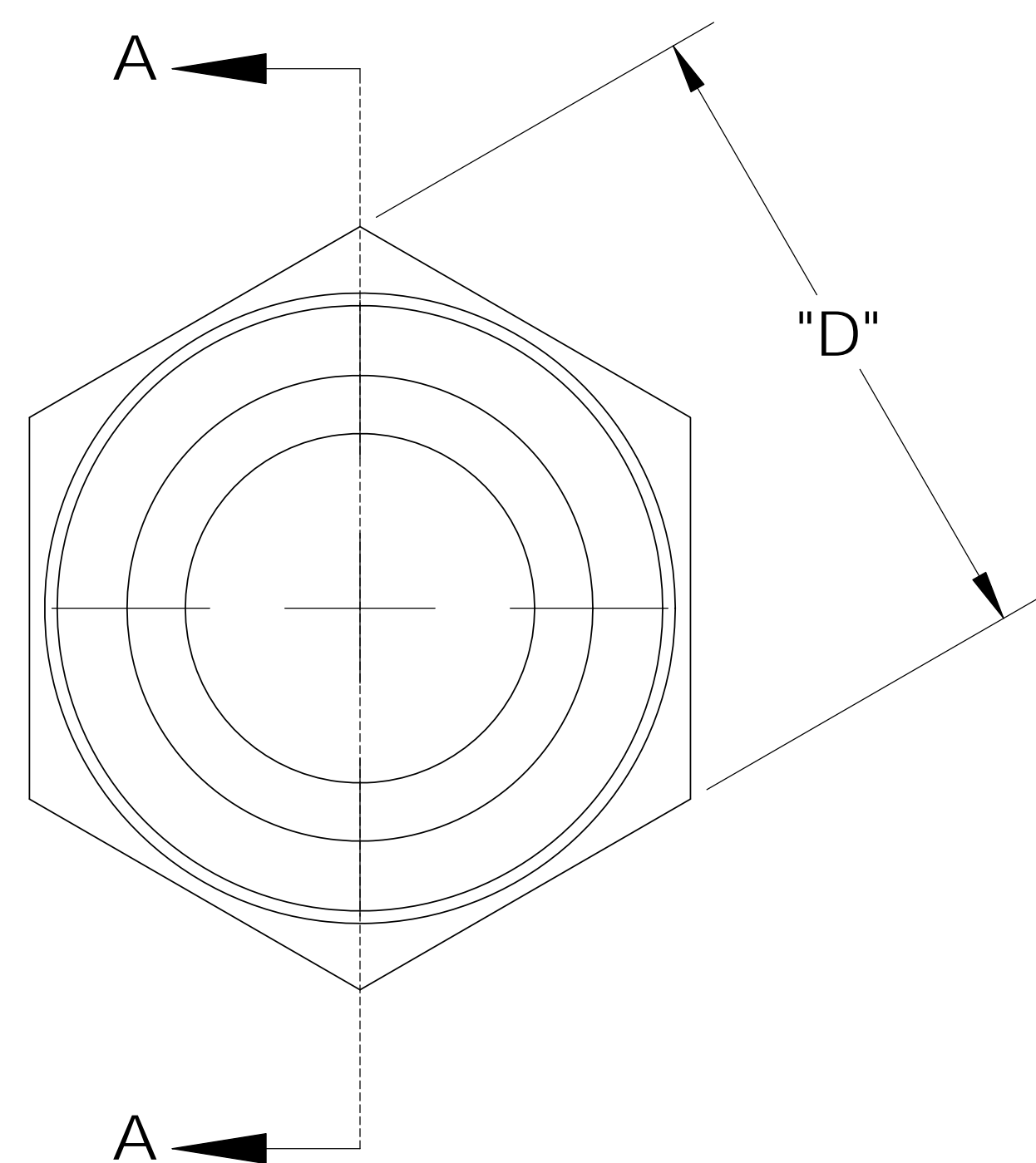
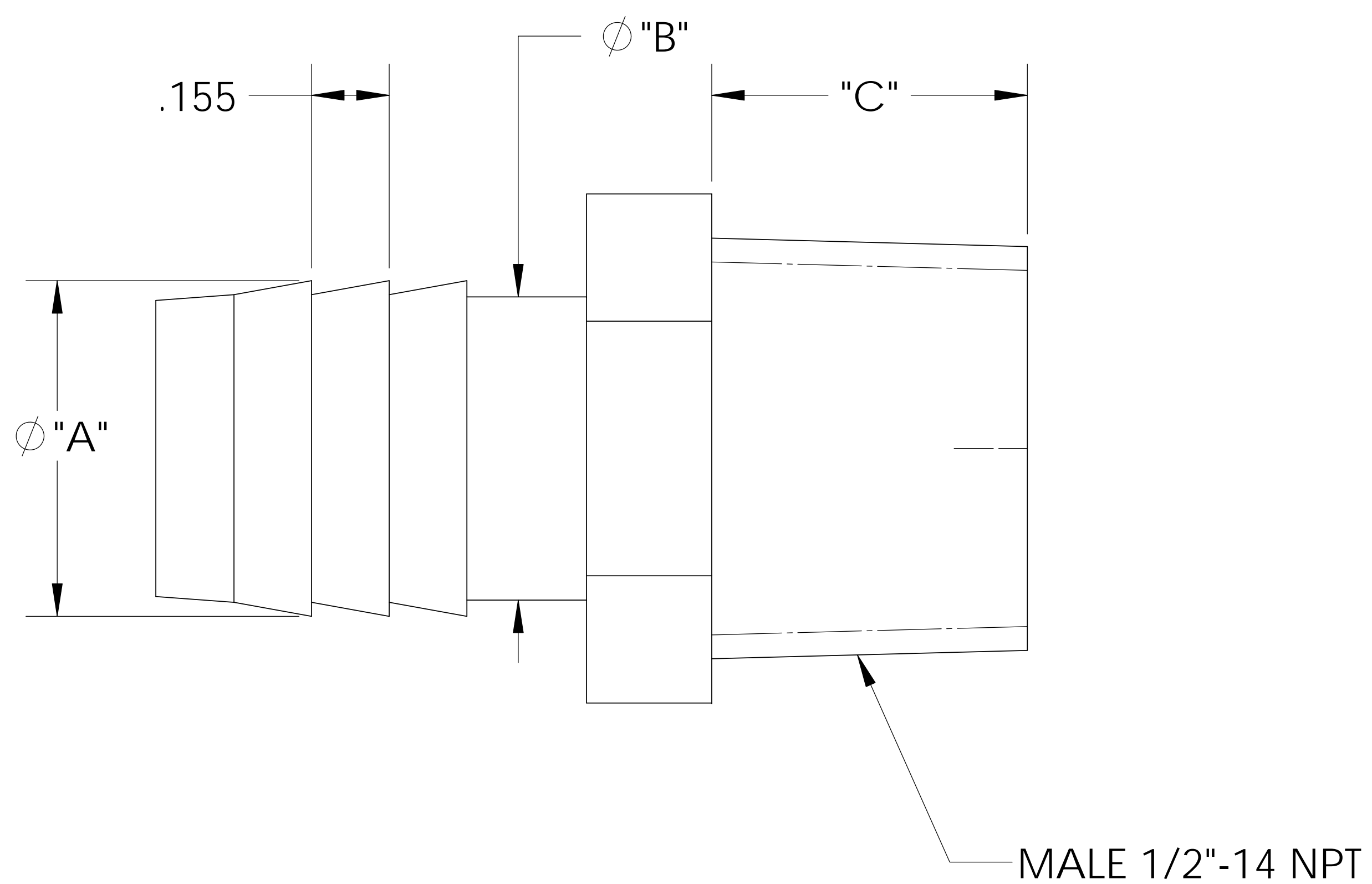
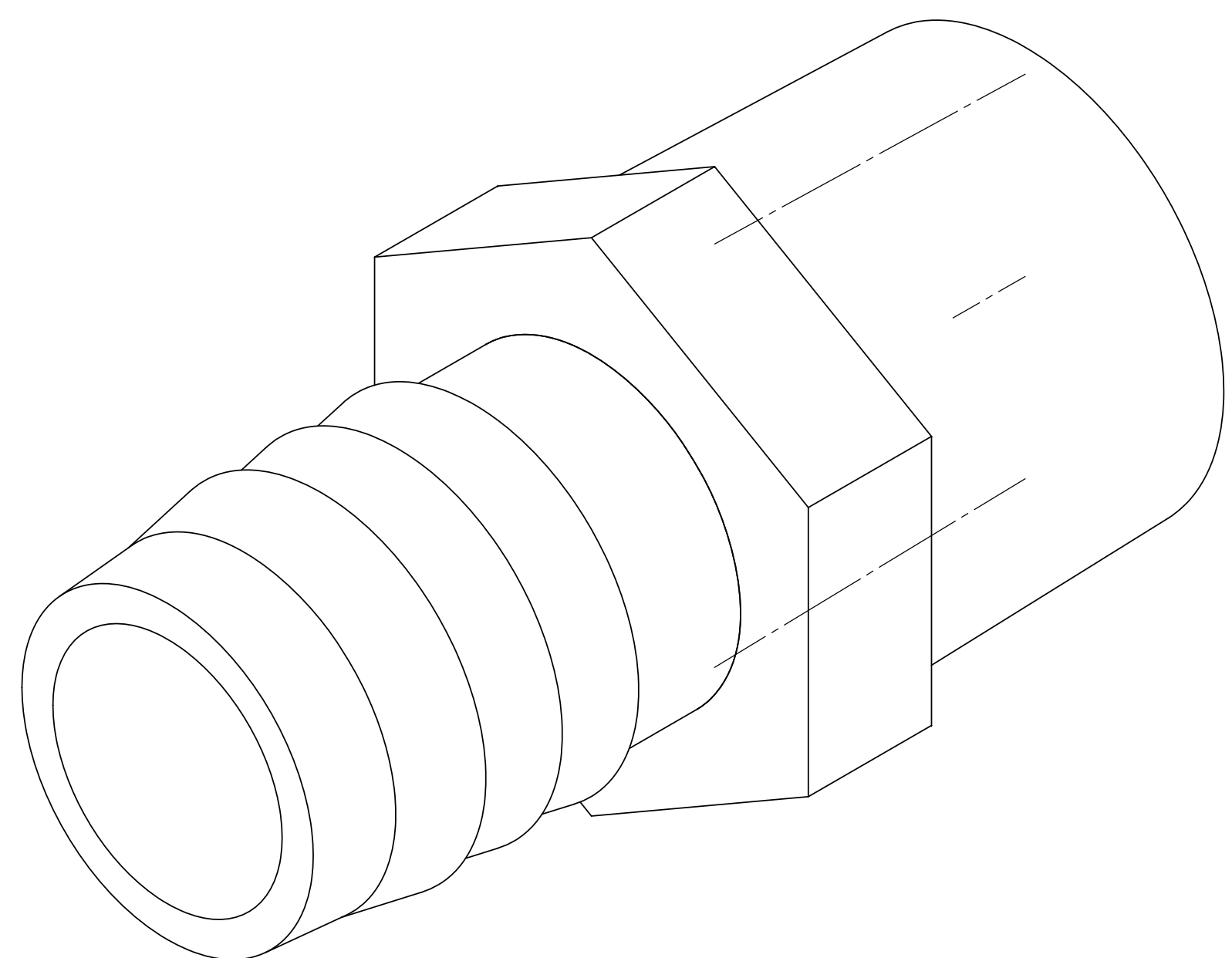


UNCONTROLLED IF PRINTED; CONTROLLED COPY LOCATED IN IQMS DOCUMENT CONTROL



SECTION A-A

CATALOG NO.	DESCRIPTION	MATERIAL	DIM "A"	DIM "B"	DIM "C"	DIM "D"	DIM "E"	DIM "F"	DIM "G"	DIM "H"
TA10810/PP	1/2" NPT X 5/8" PP	POLYPROPYLENE	.655	.595	.60	.88	.615	.255	1.72	.460
TA10810/P	1/2" NPT X 5/8" P	POLYETHYLENE	.660	.600	.60	.86	.605	.255	1.70	.455
SHOWN TA10810/N	1/2" NPT X 5/8" N	NYLON	.670	.605	.63	.88	.620	.250	1.74	.465

NOTES:

- 1) POLYPROPYLENE HAS COLOR OPTIONS:
 BLACK = TA10810/PPB
 NATURAL = TA10810/PPN

PROPRIETARY AND CONFIDENTIAL
 THE INFORMATION CONTAINED IN THIS DRAWING IS THE SOLE PROPERTY OF THOGUS PRODUCTS COMPANY. ANY REPRODUCTION IN PART OR AS A WHOLE WITHOUT THE WRITTEN PERMISSION OF THOGUS PRODUCTS COMPANY IS PROHIBITED.

REV	WRO#	DESCRIPTION
		HISTORY

UNLESS OTHERWISE SPECIFIED:
 DIMENSIONS ARE IN INCHES
 TOLERANCES:
 ANGULAR: $\pm 0.5^\circ$
 XX = ± 0.1
 XXX = ± 0.05
 XXXX = ± 0.015
 REMOVE ALL SHARP EDGES AND BURRS
 BLEND ALL RADII TO 0.01IN
 INTERPRET GEOMETRIC TOLERANCING PER: ANSI Y 14.5 1994
 MATERIAL: PP, P, N
 FINISH: NA
 THIRD ANGLE PROJECTION:

	NAME	DATE
DRAWN	JRM	03/18/11
CHECKED	KDJ	03/18/11
ENG APPR.	JM	03/19/11
MFG APPR.	ML	03/19/11
Q.A.	NJW	3/19/11

33490 PIN OAK, AVON LAKE, OH 44012

TITLE: 1/2" NPT X 5/8" BARB ADAPTER

SIZE B	DWG. NO. TA10810	REV D
SCALE: 2:1	MASS:	SHEET 1 OF 1

DO NOT SCALE DRAWING